

Series DBF-03 and DBF-04 Resilient Seated Butterfly Valves

Sizes: 2" – 12" (50 - 300mm)

Series DBF-03, DBF-04 butterfly valves are designed for use between ANSI 125 and 150 class flanges of either flat or raised face type.

Note: Installation between class 150 flanges **does not** increase the valve 200 psig rating

Installation and Repair Instructions

1. Installation

Note: When using piping reducers, the transition area of said reducers must be sufficient enough so as to allow disc protrusion as the valve opens. The same consideration applies when using heavy schedule or lined pipe.

Warning: Failure to ascertain adequate clearance before installation could damage the disc's sealing surface.

A. Installation Between Existing Flanges

Note: To avoid forcing the valve between flanges and subsequent distortion or damage to the valve seat, it may be necessary to spread mating flanges. **See Note 1.**

1. Rotate valve clockwise to position the disc sealing edge approximately 1/2" from the valve sealing face.
2. Insert the valve between the flanges, loosely assemble flange bolts and align by:
 - A. DBF-03-Bolting the valve to the flanges
 - B. DBF-04-By positioning the valve equidistant from the bolt studs and aligning body O.D. with flange raised face.
3. Turn valve to its full open position and hand tighten flange bolts. Operate the valve to assure proper alignment and clearance.
4. Return valve to its full open position and tighten all bolts in a sequential pattern to the proper torque for the bolting and flanged material selected.
5. Install valve handle - **See Note 2.**

B. Installation in New Piping Systems

1. Follow steps 1-4 as outlined in section A, however, the valve should be aligned as above and assembled between the flanges if they are to be welded. Use the assembly for fit-up and centering to the pipe.
2. **Tack** weld the flanges and then remove the valve assembly.
3. Complete welding the flanges and allow them to cool completely **before** reinstalling the valve. Failure to do so could damage the valve seat.

2. Removal from Line for Rebuild

A. Removal from Line

1. Place valve approximately 20° open.
2. Loosen and remove bolting, spread flanges and remove valve.

B. Disassembly

1. Place valve in its full open position, remove handle or operator.
2. Remove disc pins. (Pins will have to be replaced.)
3. Remove stem from body.
4. Remove disc from seat and store in such a manner so as to not to damage its sealing surface. (If damaged, disc and stem must be replaced.)
5. Remove seat from body.

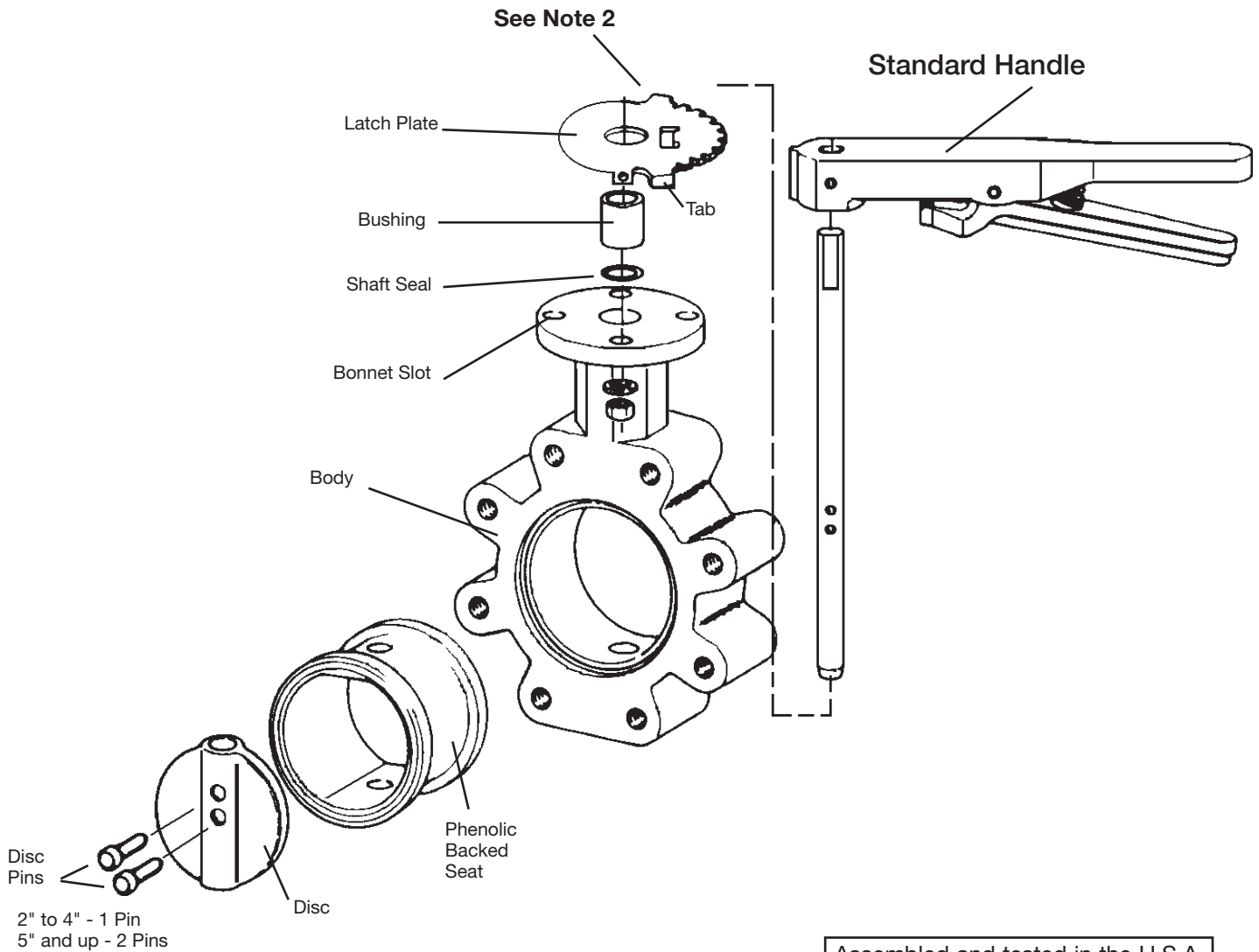
C. Reassembly

1. Inspect and clean all parts to be used.
2. Insert disc into seat (aligning stem holes).
3. Press seat into body (aligning stem holes).
4. Insert stem taking care not to dislodge and or damage the seat.
5. Close valve aligning stem flat parallel to closed valve.
6. Drill and ream (per specification) thru disc and stem. (Do not use oil when drilling)
7. Place disc pins and knock pin into place.
8. Clean valve free of shavings.

Note 1 - Valve seat also serves as flange gasket

Note 2 - Standard handle must be field mounted.

* (See back for handle information)



Assembled and tested in the U.S.A. from domestic components and foreign components produced by Watts China.

Note 2: Standard handle must be field mounted.

Note: Product information is subject to change without notice and supersedes all previous publications.

CALIFORNIA PROPOSITION 65 WARNING
WARNING: This product contains chemicals known to the State of California to cause cancer and birth defects or other reproductive harm. (California law requires this warning to be given to customers in the State of California.)
 For more information: www.watts.com/prop65

Limited Warranty: Watts Regulator Co. (the "Company") warrants each product to be free from defects in material and workmanship under normal usage for a period of one year from the date of original shipment. In the event of such defects within the warranty period, the Company will, at its option, replace or recondition the product without charge.

THE WARRANTY SET FORTH HEREIN IS GIVEN EXPRESSLY AND IS THE ONLY WARRANTY GIVEN BY THE COMPANY WITH RESPECT TO THE PRODUCT. THE COMPANY MAKES NO OTHER WARRANTIES, EXPRESS OR IMPLIED. THE COMPANY HEREBY SPECIFICALLY DISCLAIMS ALL OTHER WARRANTIES, EXPRESS OR IMPLIED, INCLUDING BUT NOT LIMITED TO THE IMPLIED WARRANTIES OF MERCHANTABILITY AND FITNESS FOR A PARTICULAR PURPOSE.

The remedy described in the first paragraph of this warranty shall constitute the sole and exclusive remedy for breach of warranty, and the Company shall not be responsible for any incidental, special or consequential damages, including without limitation, lost profits or the cost of repairing or replacing other property which is damaged if this product does not work properly, other costs resulting from labor charges, delays, vandalism, negligence, fouling caused by foreign material, damage from adverse water conditions, chemical, or any other circumstances over which the Company has no control. This warranty shall be invalidated by any abuse, misuse, misapplication, improper installation or improper maintenance or alteration of the product.

Some States do not allow limitations on how long an implied warranty lasts, and some States do not allow the exclusion or limitation of incidental or consequential damages. Therefore the above limitations may not apply to you. This Limited Warranty gives you specific legal rights, and you may have other rights that vary from State to State. You should consult applicable state laws to determine your rights. **SO FAR AS IS CONSISTENT WITH APPLICABLE STATE LAW, ANY IMPLIED WARRANTIES THAT MAY NOT BE DISCLAIMED, INCLUDING THE IMPLIED WARRANTIES OF MERCHANTABILITY AND FITNESS FOR A PARTICULAR PURPOSE, ARE LIMITED IN DURATION TO ONE YEAR FROM THE DATE OF ORIGINAL SHIPMENT.**



Water Safety & Flow Control Products

USA: 815 Chestnut St., No. Andover, MA 01845-6098; www.watts.com

Canada: 5435 North Service Rd., Burlington, ONT. L7L 5H7; www.wattscanada.ca