

# Engineering Specification

Job Name \_\_\_\_\_

Contractor \_\_\_\_\_

Job Location \_\_\_\_\_

Approval \_\_\_\_\_

Engineer \_\_\_\_\_

Contractor's P.O. No. \_\_\_\_\_

Approval \_\_\_\_\_

Representative \_\_\_\_\_

## FS-740

### 12" Square x 8" Deep Sanitary Floor Sink



#### Specification

Watts FS-740 12" square x 8" deep sanitary floor sink with white acid resistant porcelain enamel coated interior, loose set porcelain enamel coated cast iron grate, polypropylene dome bottom strainer, and no hub (standard) outlet.

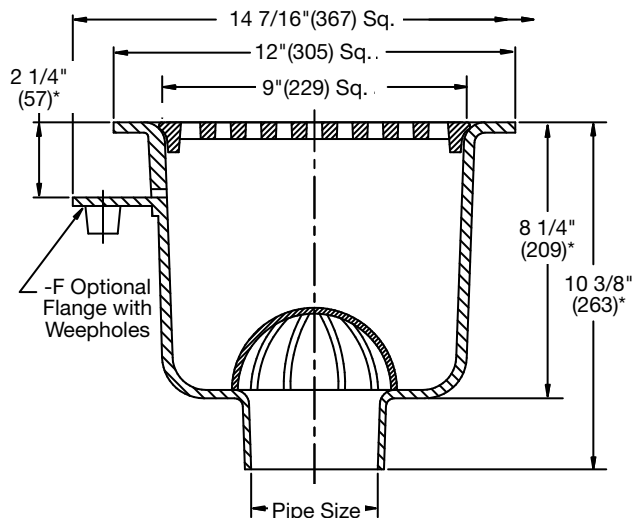
Call customer service if you need assistance with technical details.

PIPE SIZING	
SUFFIX	DESCRIPTION
2	2"(51) Pipe Size
3	3"(76) Pipe Size
4	4"(102) Pipe Size

OUTLET TYPE	
SUFFIX	DESCRIPTION
NH	No-Hub (MJ)
P	Push-On

OPTIONS	
SUFFIX	DESCRIPTION
-F	Flange w/Weepholes
-FC	Flange w/Weepholes & Flashing Clamp
-FS-DS-SS	Stainless Steel Dome Strainer
-1	Nickel Bronze Top
-3	Stainless Steel Rim & Grate
-5	Sediment Bucket
-6	Vandal Proof (-1, -3 Only)
-7	Trap Primer Tapping
-9	Hinged Grate (-1 Only)
-21	Secondary Strainer
-33	Less Grate
-128	Grate w/2 1/2"(64) Ctr. Opening
-150	1/2 Grate
-175	3/4 Grate
-F4-1	4" Round Nickel Bronze Funnel
-F6-1	6" Round Nickel Bronze Funnel
-G-1	4" x 9" Oval Nickel Bronze Funnel

FREE AREA SQ. IN.	
Standard Grate	With -1/-3 Rim & Grate
31	47



\*Add 5/8"(16) for -1 Nickel Bronze Top or -3 Stainless Steel Top

#### NOTICE

The information contained herein is not intended to replace the full product installation and safety information available or the experience of a trained product installer. You are required to thoroughly read all installation instructions and product safety information before beginning the installation of this product.

Watts product specifications in U.S. customary units and metric are approximate and are provided for reference only. For precise measurements, please contact Watts Technical Service. Watts reserves the right to change or modify product design, construction, specifications, or materials without prior notice and without incurring any obligation to make such changes and modifications on Watts products previously or subsequently sold.



**USA:** T: (800) 338-2581 • Watts.com  
**Canada:** T: (888) 208-8927 • Watts.ca  
**Latin America:** T: (52) 55-4122-0138 • Watts.com